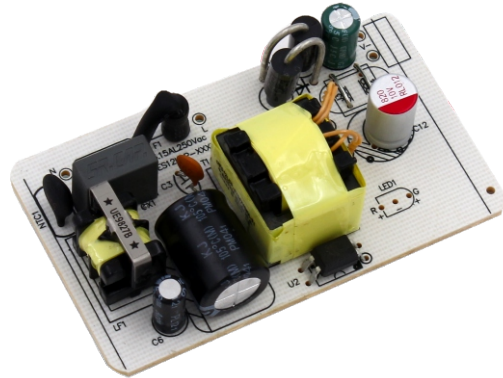


Product Features

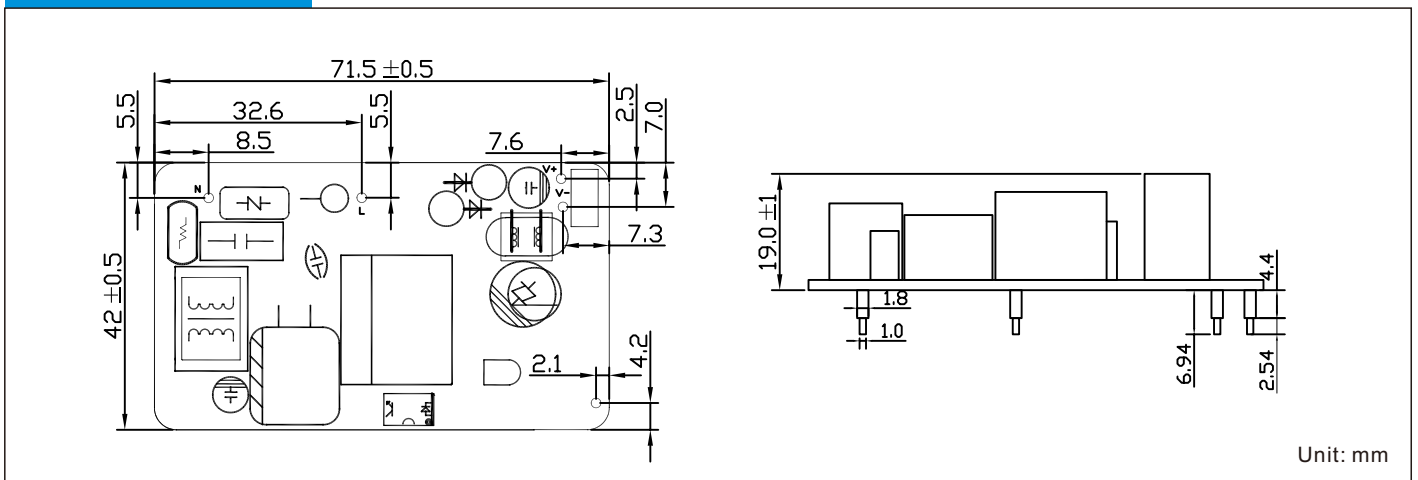
- Medical & I.T.E. safety
- 2 MOPP input to output isolation
- Touch current $\leq 10\mu\text{A}$
- Energy efficiency level VI
- $\leq 0.075\text{W}$ standby power
- 4V to 24V outputs, up to 12W
- Up to 5,000m operating altitude



Models & Ratings

Model Number	Voltage ^(*) (V)	Current (A)	Rated Power	Ripple & Noise (max) ^(*) (2)	Voltage Tolerance	Line & Load Regulation	Efficiency (Average)	Start Up Delay
UES12LCP-XXXXXXSPA-OP UES12LCP-XXXXXXSPC-OP	4.0-5.0	0.01-2.00	10.00W	150mVpk-pk	±7%	Line: ±1% Load: ±5%	79.01%	≤3s
	5.1-6.0	0.01-2.00	12.00W	150mVpk-pk	±7%		80.19%	≤3s
	6.1-7.0	0.01-1.71	11.97W	150mVpk-pk	±7%		83.30%	≤3s
	7.1-8.0	0.01-1.50	12.00W	150mVpk-pk	±7%		83.30%	≤3s
	8.1-9.0	0.01-1.33	11.97W	150mVpk-pk	±5%		83.30%	≤3s
	9.1-10.0	0.01-1.20	12.00W	150mVpk-pk	±5%		83.30%	≤3s
	10.1-11.0	0.01-1.09	11.99W	150mVpk-pk	±5%		83.30%	≤3s
	11.1-12.0	0.01-1.00	12.00W	150mVpk-pk	±5%		83.30%	≤3s
	12.1-13.0	0.01-0.94	12.22W	200mVpk-pk	±5%		83.30%	≤3s
	13.1-14.0	0.01-0.86	12.04W	200mVpk-pk	±5%		83.30%	≤3s
	14.1-15.0	0.01-0.80	12.00W	200mVpk-pk	±5%		83.30%	≤3s
	15.1-16.0	0.01-0.75	12.00W	200mVpk-pk	±5%		83.30%	≤3s
	16.1-17.0	0.01-0.71	12.07W	200mVpk-pk	±5%		83.30%	≤3s
	17.1-18.0	0.01-0.67	12.06W	200mVpk-pk	±5%		83.30%	≤3s
	18.1-19.0	0.01-0.63	11.97W	200mVpk-pk	±5%		83.30%	≤3s
	19.1-20.0	0.01-0.60	12.00W	200mVpk-pk	±5%		83.30%	≤3s
	20.1-21.0	0.01-0.57	11.97W	200mVpk-pk	±5%		83.30%	≤3s
	21.1-22.0	0.01-0.55	12.10W	200mVpk-pk	±5%		83.30%	≤3s
	22.1-23.0	0.01-0.52	11.96W	200mVpk-pk	±5%		83.30%	≤3s
	23.1-24.0	0.01-0.50	12.00W	200mVpk-pk	±5%		83.30%	≤3s

Mechanical Details



Notes

(*1) Other options are available, please contact our sales representative for details.

(*2) Measured at output connector with 20MHz bandwidth and 0.1uF ceramic in parallel with 10uF electrolytic capacitors.

Input

Input Voltage Range	90-264VAC
Frequency Range	47-63Hz
Input Current	0.5A at 90VAC
Inrush Current	50A max at 240VAC cold start
Touch Leakage Current ^(max)	≤10μA at 264VAC

Environmental

Operating Temperature	-5°C to 45°C
Storage Temperature	-25°C to 75°C
Operating Humidity	10% to 90% RH, non-condensing
Storage Humidity	5% to 90% RH
Operating Altitude	5,000m

General

Dimensions(mm)	71.5(L) 42(W) 19(H)
Weight	35g
MTBF	>100,000hrs MIL-HDBK-217 at 25°C

Protection

Overload	120-200% rated output power, auto recovery
Over Voltage	120-150% rated output voltage input to reset
Short Circuit	Trip and restart (hiccup mode)

Safety Approvals

Safety Agency / Mark	Medical	ITE
CB	IEC60601-1	IEC60950-1
UL	ANSI/AAMI ES60601-1	-
FCC	CAN/CSA C22.2 NO. 60601-1	FCC PART15

EMC

Emissions	Medical	ITE
Conducted	IEC/EN 60601-1-2, CISPR 11	EN55032, CISPR 32
Radiated	IEC/EN 60601-1-2, CISPR 11	EN55032, CISPR 32
Harmonic Currents	EN61000-3-2, Class A	EN61000-3-2, Class A
Voltage Flicker	EN61000-3-3	EN61000-3-3
Immunity	Medical	ITE
Radiated Immunity	EN61000-4-3	10V/m, 3V/m 80MHz - 2.7GMHz
EFT/Burst	EN61000-4-4	±2KV on AC port, ±1KV on signal ports
Surge	EN61000-4-5	±2KV line to line (different mode) compatible with ±4KV line to line (different mode)
Conducted Immunity	EN61000-4-6	3Vrms, 6Vrms (0.15MHz-80MHz)
Magnetic Field	EN61000-4-8	30 A/m
Dips & Interruptions	EN61000-4-11	0%, 70%, 0% of UT

Others

Dielectric Withstand Voltage	5,656VDC input to output
Insulation Resistance	10M Ohms, 500VDC input to output